

### Features & Benefits

- Detects condensation on chilled beam pipes and surfaces
- Connects to either a resistive or VFC input of a BMS/DDC system
- Easy replacement & regular maintenance with spring cage terminals

### Technical Overview

The WD-CPS-R Condensation Detection Plate acts as a resistive switch device, which gives an alarm once condensation starts to occur on cold surfaces. Its detachable cable connection allows simple replacement without the need to replace wiring. Replacement plates are available for regular maintenance.

### Product Codes

#### WD-CPS-R

Condensation detection plate, 2 meter cable

#### WD-CPS-R-P5

Replacement pack of 5 condensation detection plates (plates ONLY, cable not included)

### Specification

Output	Resistive
Dry state	Open circuit
Wet state	Closed circuit
	Switching point app. 100kΩ
Cable length	2 meters
Mounting plate	Stainless steel
Dimensions	100 x 15 x 5mm
Weights:	
	WD-CPS-R 36g
	WD-CPS-R-P5 46g
Country of origin	UK

#### WEEE Directive:



At the end of the products useful life please dispose as per the local regulations.  
Do not dispose of with normal household waste.  
Do not burn.

## Installation

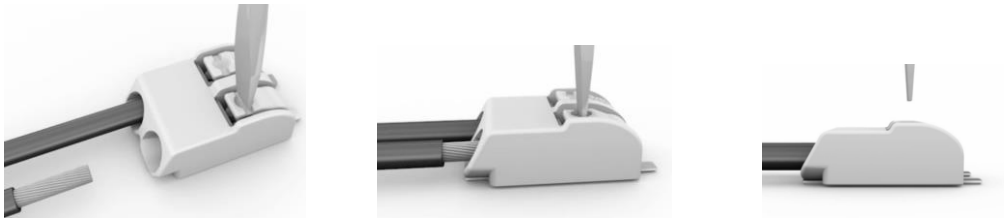
1. The WD-CPS-R should only be installed by a competent, suitably trained technician.
2. The spring terminals are suitable for a maximum cable size of 2.5mm<sup>2</sup>, care must be taken when pressing the terminal to remove or insert the cables.

3. Solid conductors  
 With solid conductors these can be inserted into terminal without the use of tools:



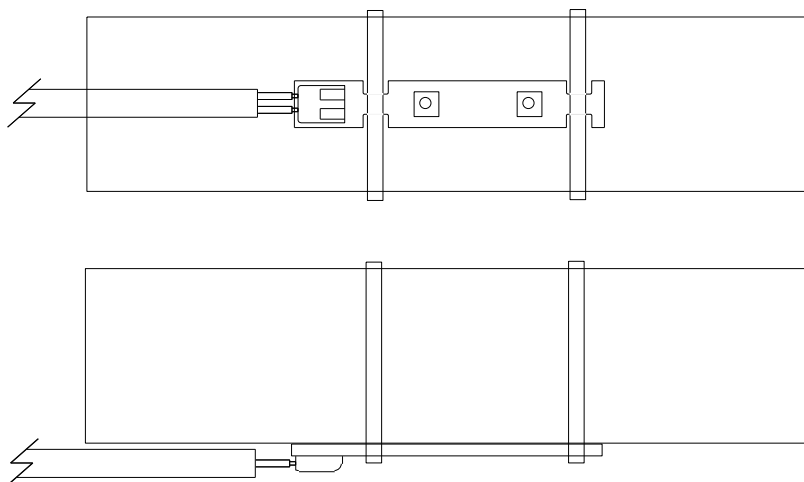
### Stranded conductors

Stranded conductors are inserted into the terminal by lightly pressing a flat bladed screwdriver onto the push button:



Insert the wire and release the flat bladed screwdriver.

4. When mounting the WD-CPS-R it is very important that no insulating material is placed between the detector and mounting surface.
5. The detector is simply fixed in place on the pipe with cable ties or if using on another surface with self-tapping screws.
6. If the detector is to be mounted onto a pipe, it is important that the detector is mounted length-wise to ensure maximum thermal transfer efficiency either on the side or on the under the pipe.



7. Once a WD-CPS-R has detected an alarm, this MUST be changed using a new plate from the WD-CPS-R-P5 replacement pack.

Whilst every effort has been made to ensure the accuracy of this specification, Sontay cannot accept responsibility for damage, injury, loss or expense from errors or omissions. In the interest of technical improvement, this specification may be altered without notice.

Tel: +44 (0)1732 861200 - E-mail: sales@sontay.com - Web: www.sontay.com

© 2017 Sontay Limited. All rights reserved